

Data sheet

Order number: 31005-TLS

TLS connector Multi-Grip cable gland

EAN/pcs **4024941192378**

Ampere **16A**

Poles **4p (3P+PE)**

Earth 'Clock' Position **6 h**

Voltage **380 up to 415V**

Frequency **50 and 60Hz**

Protection **IP44**

Color code **red RAL 3000**

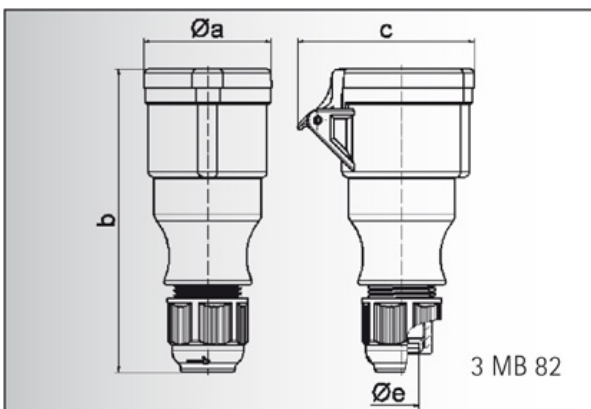
Connection Design **screw terminal**

Contact **contact carrier made of polyamide, the contacts are brass**

Weight/pcs **0,160 kg**

Packaging unit **10 pc/pcs**

Material of enclosure **Polyamide**



Ampere	16	16	16	32	32	32
Polzahl	3	4	5	3	4	5
a ø	51,0	58,0	65,0	67,0	67,0	73,0
b	145,0	148,0	156,0	185,0	185,0	185,0
c	74,0	84,0	90,0	94,0	94,0	102,0
e ø	18,0	18,0	18,0	23,0	23,0	23,0
Leiter mm ² min	1	1	1	2,5	2,5	2,5
Leiter mm ² max	2,5	2,5	2,5	6	6	6

Bals Elektrotechnik GmbH & Co. KG

D-57399 Kirchhundem - Albaum

phone: +49(0)2723/771-0 fax: +49(0)2723/771-177

email: info@bals.com www.bals.com

date: 03.05.2016