

Data sheet

Order number: 12080

GT panel mounting socket Outlet, angled

EAN/pcs **4024941120807**

Ampere **16A**

Poles **3p (2P+PE)**

Earth 'Clock'
Position **6 h**

Voltage **200 up to 250V**

Frequency **50 and 60Hz**

Protection **IP44**

Color code **blue RAL 5015**

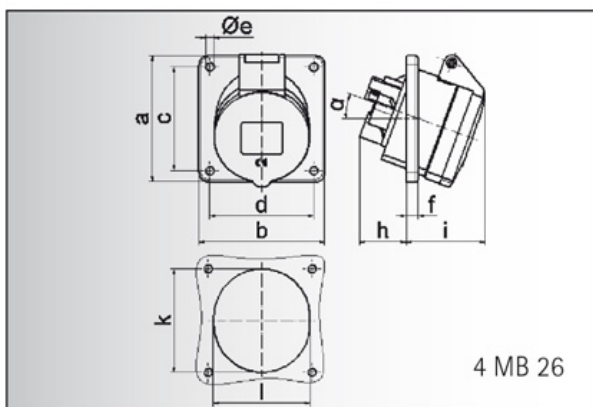
Connection Design **screw terminal**

Contact **contact carrier made of polyamide, the contacts are brass**

Weight/pcs **0,123 kg**

Packaging unit **10 pc/pcs**

Material of
enclosure **Polyamide**



Ampere	16	16	16	32	32	32
Polzahl	3	4	5	3	4	5
a	85,0	85,0	85,0	85,0	85,0	85,0
b	85,0	85,0	85,0	85,0	85,0	85,0
c	70,0	70,0	70,0	70,0	70,0	70,0
d	70,0	70,0	70,0	70,0	70,0	70,0
e ø	5,5	5,5	5,5	5,5	5,5	5,5
f	8,0	8,0	8,0	8,0	8,0	8,0
h	30,0	30,0	30,0	50,0	50,0	34,0
i	48,0	50,0	54,0	63,0	63,0	60,0
k	57,0	65,0	70,0	78,0	78,0	78,0
l	57,0	65,0	70,0	78,0	78,0	78,0
α	20°	20°	20°	20°	20°	20°
Leiter mm ² min	1,5	1,5	1,5	2,5	2,5	2,5
Leiter mm ² max	4	4	4	10	10	10

Bals Elektrotechnik GmbH & Co. KG

D-57399 Kirchhundem - Albaum

phone: +49(0)2723/771-0 fax: +49(0)2723/771-177

email: info@bals.com www.bals.com

date: 03.05.2016