

panel mounting socket outlet angled - flange 85x85, fixing centers 70x70



Product description

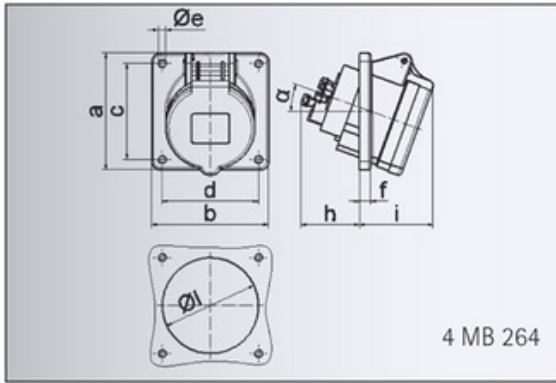
Order number	12864
EAN/pcs	4024941128643
Product Group	panel mounting socket outlet Quick-Connect, angled
Amperage	16A
Poles	4p (3P+PE)
Earth 'Clock' Position	7 h
Voltage	480 up to 500V
Frequenz	50 and 60Hz
Protection	IP44
Color code	black RAL 9005
Connection Design	screwless spring terminals as cage clamp with Kontext-contact
Max. conductor	4,0 mm ²

Further Information

Additional technical information The inclination is 20°

Material

Material of Enclosure	Polyamide
Contact / Contact Carrier	contact carrier made of polyamide, the contacts are brass
Weight/pcs	0.132 kg
Packaging unit	10 ST



Ampere	16	16	16	32	32	32
Polzahl	3	4	5	3	4	5
a	85,0	85,0	85,0	85,0	85,0	85,0
b	85,0	85,0	85,0	85,0	85,0	85,0
c	70,0	70,0	70,0	70,0	70,0	70,0
d	70,0	70,0	70,0	70,0	70,0	70,0
e Ø	5,5	5,5	5,5	5,5	5,5	5,5
f	8,0	8,0	8,0	8,0	8,0	8,0
h	46,0	46,0	46,0	61,0	61,0	61,0
i	50,0	51,0	54,0	60,0	60,0	60,0
l Ø	57,0	65,0	70,0	78,0	78,0	78,0
α	20°	20°	20°	20°	20°	20°
Leiter mm ² min	1,5	1,5	1,5	2,5	2,5	2,5
Leiter mm ² max	4	4	4	10	10	10