

# Data sheet

Order number: 1324

GT panel mounting socket outlet straight

EAN/pcs **4024941013246**

Ampere **16A**

Poles **4p (3P+PE)**

Earth 'Clock' Position **6 h**

Voltage **380 up to 415V**

Frequency **50 and 60Hz**

Protection **IP44**

Color code **red RAL 3000**

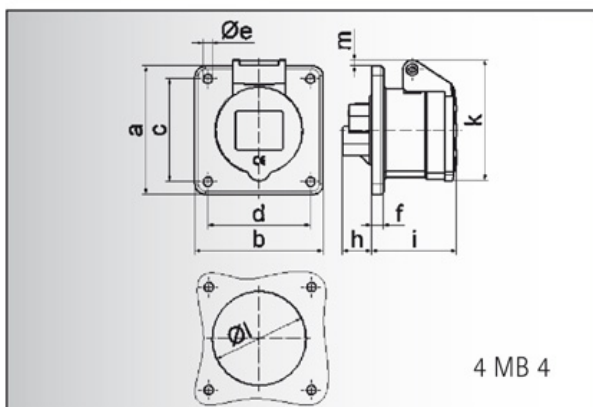
Connection Design **screw terminal**

Contact **contact carrier made of polyamide, the contacts are brass**

Weight/pcs **0,138 kg**

Packaging unit **10 pc/pcs**

Material of enclosure **Polyamide**



|                            |      |      |      |      |      |      |
|----------------------------|------|------|------|------|------|------|
| Ampere                     | 16   | 16   | 16   | 32   | 32   | 32   |
| Polzahl                    | 3    | 4    | 5    | 3    | 4    | 5    |
| a                          | 75,0 | 75,0 | 75,0 | 75,0 | 75,0 | 75,0 |
| b                          | 75,0 | 75,0 | 75,0 | 75,0 | 75,0 | 75,0 |
| c                          | 60,0 | 60,0 | 60,0 | 60,0 | 60,0 | 60,0 |
| d                          | 60,0 | 60,0 | 60,0 | 60,0 | 60,0 | 60,0 |
| e ø                        | 5,5  | 5,5  | 5,5  | 5,5  | 5,5  | 5,5  |
| f                          | 7,0  | 7,0  | 7,0  | 8,0  | 8,0  | 8,0  |
| h                          | 17,0 | 26,0 | 17,0 | 36,0 | 36,0 | 19,0 |
| i                          | 51,0 | 53,0 | 53,0 | 62,0 | 62,0 | 62,0 |
| k                          | 70,0 | 80,0 | 85,0 | 90,0 | 90,0 | 98,0 |
| l ø                        | 45,0 | 45,0 | 55,0 | 60,0 | 60,0 | 60,0 |
| m                          | 3,5  | 7,0  | 11,5 | 12,0 | 12,0 | 17,0 |
| Leiter mm <sup>2</sup> min | 1,5  | 1,5  | 1,5  | 2,5  | 2,5  | 2,5  |
| Leiter mm <sup>2</sup> max | 4    | 4    | 4    | 10   | 10   | 10   |

**Bals Elektrotechnik GmbH & Co. KG**

D-57399 Kirchhundem - Albaum

phone: +49(0)2723/771-0 fax: +49(0)2723/771-177

email: info@bals.com www.bals.com

date: 03.05.2016