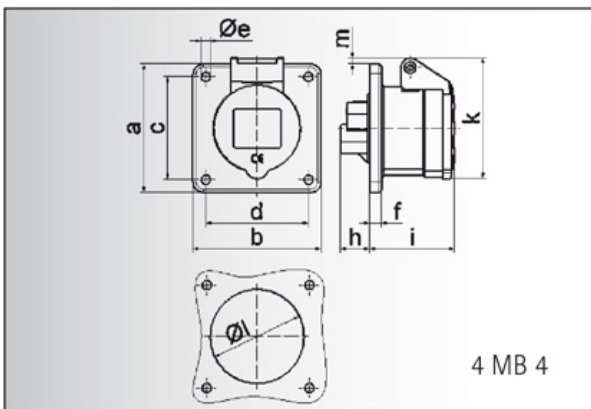


# Data sheet

Order number: 13011

GT panel mounting socket outlet straight

|                        |  |
|------------------------|--|
| EAN/pcs                | <b>4024941130110</b>   |
| Ampere                 | <b>32A</b>   |
| Poles                  | <b>4p (3P+PE)</b>  |
| Earth 'Clock' Position | <b>6 h</b>   |
| Voltage                | <b>380 up to 415V</b>  |
| Frequency              | <b>50 and 60Hz</b>   |
| Protection             | <b>IP44</b>  |
| Color code             | <b>red RAL 3000</b>  |
| Connection Design      | <b>screw terminal</b>  |
| Contact                | <b>contact carrier made of polyamide, the contacts are brass</b> |
| Weight/pcs             | <b>0,205 kg</b>  |
| Packaging unit         | <b>10 pc/pcs</b>   |
| Material of enclosure  | <b>Polyamide</b>   |



| Ampere                     | 16   | 16   | 16   | 32   | 32   | 32   |
|----------------------------|------|------|------|------|------|------|
| Polzahl                    | 3    | 4    | 5    | 3    | 4    | 5    |
| a                          | 75,0 | 75,0 | 75,0 | 75,0 | 75,0 | 75,0 |
| b                          | 75,0 | 75,0 | 75,0 | 75,0 | 75,0 | 75,0 |
| c                          | 60,0 | 60,0 | 60,0 | 60,0 | 60,0 | 60,0 |
| d                          | 60,0 | 60,0 | 60,0 | 60,0 | 60,0 | 60,0 |
| e ø                        | 5,5  | 5,5  | 5,5  | 5,5  | 5,5  | 5,5  |
| f                          | 7,0  | 7,0  | 7,0  | 8,0  | 8,0  | 8,0  |
| h                          | 17,0 | 26,0 | 17,0 | 36,0 | 36,0 | 19,0 |
| i                          | 51,0 | 53,0 | 53,0 | 62,0 | 62,0 | 62,0 |
| k                          | 70,0 | 80,0 | 85,0 | 90,0 | 90,0 | 98,0 |
| l ø                        | 45,0 | 45,0 | 55,0 | 60,0 | 60,0 | 60,0 |
| m                          | 3,5  | 7,0  | 11,5 | 12,0 | 12,0 | 17,0 |
| Leiter mm <sup>2</sup> min | 1,5  | 1,5  | 1,5  | 2,5  | 2,5  | 2,5  |
| Leiter mm <sup>2</sup> max | 4    | 4    | 4    | 10   | 10   | 10   |

**Bals Elektrotechnik GmbH & Co. KG**

D-57399 Kirchhundem - Albaum

phone: +49(0)2723/771-0 fax: +49(0)2723/771-177

email: info@bals.com www.bals.com

date: 03.05.2016