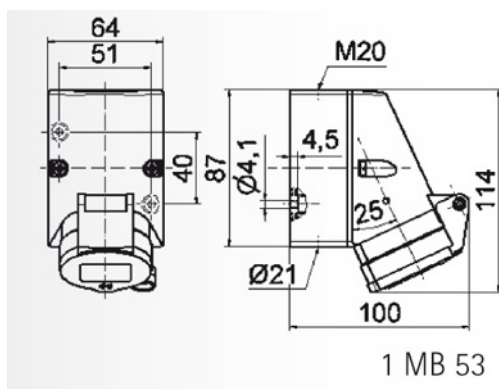


# Data sheet

Order number: 119

wall mounting socket outlet

EAN/pcs	<b>4024941001199</b>
Ampere	<b>16A</b>
Poles	<b>3p (2P+PE)</b>
Earth 'Clock' Position	<b>6 h</b>
Voltage	<b>200 up to 250V</b>
Frequency	<b>50 and 60Hz</b>
Protection	<b>IP44</b>
Color code	<b>blue RAL 5015</b>
Connection Design	<b>screw terminal</b>
Contact	<b>contact carrier made of polyamide, the contacts are brass</b>
Weight/pcs	<b>0,182 kg</b>
Packaging unit	<b>10 pc/pcs</b>
Material of enclosure	<b>Polyamide</b>



**Bals Elektrotechnik GmbH & Co. KG**

D-57399 Kirchhundem - Albaum

phone: +49(0)2723/771-0 fax: +49(0)2723/771-177

email: info@bals.com www.bals.com

date: 03.05.2016