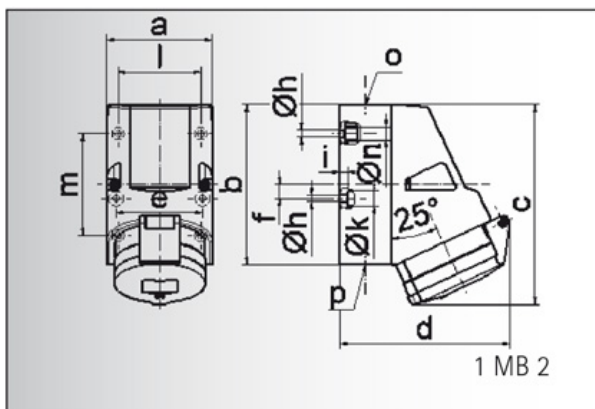


Data sheet

Order number: 11219

GT wall mounting socket outlet

EAN/pcs	4024941112192
Ampere	16A
Poles	5p (3p+N+PE)
Earth 'Clock' Position	7 h
Voltage	277/480 up to 288/500V
Frequency	50 and 60Hz
Protection	IP44
Color code	black RAL 9005
Connection Design	screw terminal
Contact	contact carrier made of polyamide, the contacts are brass
Weight/pcs	0,340 kg
Packaging unit	10 pc/pcs
Material of enclosure	Polyamide



Ampere	16	16	32	32	32
Polzahl	4	5	3	4	5
a	83,0	83,0	83,0	83,0	83,0
b	126,0	126,0	126,0	126,0	126,0
c	153,0	155,0	155,0	155,0	155,0
d	127,0	130,0	130,0	130,0	136,0
e	68,0	68,0	68,0	68,0	68,0
f	11,0	11,0	11,0	11,0	11,0
h ø	5,5	5,5	5,5	5,5	5,5
i	6,5	6,5	6,5	6,5	6,5
k ø	12,0	12,0	12,0	12,0	12,0
l	65,0	65,0	65,0	65,0	65,0
m	80,0	80,0	80,0	80,0	80,0
n ø	10,0	10,0	10,0	10,0	10,0
o	M 25	M 25	M 25	M 25	M 25
p	2 x M 25	2 x M 25	2 x M 25	2 x M 25	2 x M 25
Leiter mm² min	1,5	1,5	2,5	2,5	2,5
Leiter mm² max	4	4	10	10	10

Bals Elektrotechnik GmbH & Co. KG

D-57399 Kirchhundem - Albaum

phone: +49(0)2723/771-0 fax: +49(0)2723/771-177

email: info@bals.com www.bals.com

date: 03.05.2016