

Data sheet

Order number: 1117

GT wall mounting socket outlet

EAN/pcs **4024941011174**

Ampere **32A**

Poles **4p (3P+PE)**

Earth 'Clock'
Position **9 h**

Voltage **200 up to 250V**

Frequency **50 and 60Hz**

Protection **IP44**

Color code **blue RAL 5015**

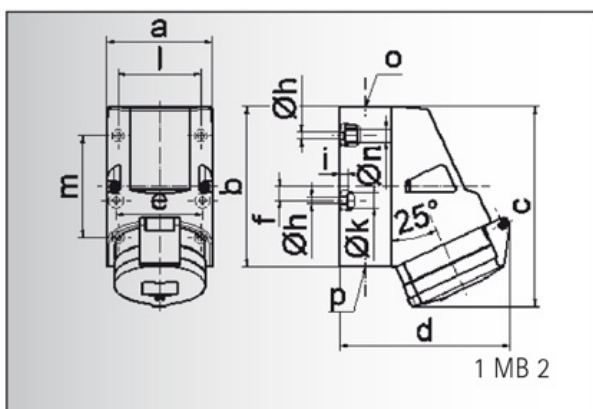
Connection Design **screw terminal**

Contact **contact carrier made of polyamide, the contacts are brass**

Weight/pcs **0,381 kg**

Packaging unit **10 pc/pcs**

Material of
enclosure **Polyamide**



Ampere	16	16	32	32	32
Polzahl	4	5	3	4	5
a	83,0	83,0	83,0	83,0	83,0
b	126,0	126,0	126,0	126,0	126,0
c	153,0	155,0	155,0	155,0	155,0
d	127,0	130,0	130,0	130,0	136,0
e	68,0	68,0	68,0	68,0	68,0
f	11,0	11,0	11,0	11,0	11,0
h ø	5,5	5,5	5,5	5,5	5,5
i	6,5	6,5	6,5	6,5	6,5
k ø	12,0	12,0	12,0	12,0	12,0
l	65,0	65,0	65,0	65,0	65,0
m	80,0	80,0	80,0	80,0	80,0
n ø	10,0	10,0	10,0	10,0	10,0
o	M 25	M 25	M 25	M 25	M 25
p	2 x M 25	2 x M 25	2 x M 25	2 x M 25	2 x M 25
Leiter mm ² min	1,5	1,5	2,5	2,5	2,5
Leiter mm ² max	4	4	10	10	10

Bals Elektrotechnik GmbH & Co. KG

D-57399 Kirchhundem - Albaum

phone: +49(0)2723/771-0 fax: +49(0)2723/771-177

email: info@bals.com www.bals.com

date: 03.05.2016