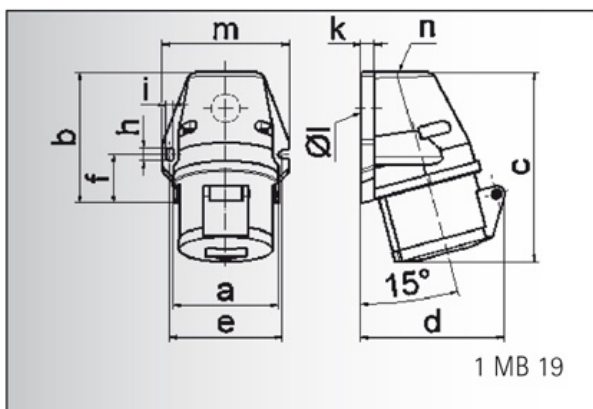


# Data sheet

Order number: 11765

GT wall mounting socket outlet

EAN/pcs	<b>4024941117654</b>
Ampere	<b>16A</b>
Poles	<b>3p (2P+PE)</b>
Earth 'Clock' Position	<b>6 h</b>
Voltage	<b>200 up to 250V</b>
Frequency	<b>50 and 60Hz</b>
Protection	<b>IP44</b>
Color code	<b>blue RAL 5015</b>
Connection Design	<b>screw terminal</b>
Contact	<b>contact carrier made of polyamide, the contacts are brass</b>
Weight/pcs	<b>0,175 kg</b>
Packaging unit	<b>10 pc/pcs</b>
Material of enclosure	<b>Polyamide</b>



Ampere	16	16	16	32	32	32
Polzahl	3	4	5	3	4	5
a	59,5	72,4	72,4	79,1	79,1	79,1
b	90,0	90,0	90,0	92,0	92,0	92,0
c	130,0	130,0	131,0	142,0	142,0	142,0
d	85,0	96,0	98,0	103,0	103,0	106,0
e	62,0	77,0	77,0	84,0	84,0	84,0
f	33,5	33,5	33,5	30,0	30,0	30,0
h	9,0	9,0	9,0	9,0	9,0	9,0
i	5,5	5,5	5,5	5,5	5,5	5,5
k	8,0	9,0	9,0	9,0	9,0	9,0
l ø	21,0	21,0	21,0	21,0	21,0	21,0
m	72,0	87,0	87,0	94,0	94,0	94,0
n	M 20	M 25	M 25	M 25	M 25	M 25
Leiter mm <sup>2</sup> min	1,5	1,5	1,5	2,5	2,5	2,5
Leiter mm <sup>2</sup> max	4	4	4	10	10	10

**Bals Elektrotechnik GmbH & Co. KG**

D-57399 Kirchhundem - Albaum

phone: +49(0)2723/771-0 fax: +49(0)2723/771-177

email: info@bals.com www.bals.com

date: 03.05.2016