

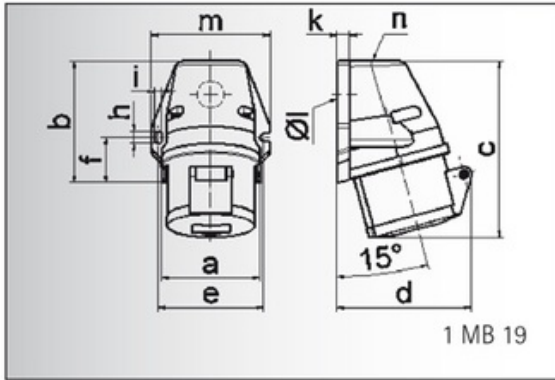
# wall mounting socket outlet - with external fixing

Product description	
Order number	11726
EAN/pcs	4024941117265
Product Group	GT wall mounting socket outlet
Amperage	16A
Poles	5p (3p+N+PE)
Earth 'Clock' Position	7 h
Voltage	277/480 up to 288/500V
Frequenz	50 and 60Hz
Protection	IP44
Color code	black RAL 9005
Connection Design	screw terminal
Max. conductor	4,0 mm <sup>2</sup>



Further Information	
Cable entry	top entry M25
Packaging	90x87 mm (HxW)
Additional technical information	The cable entry is one at top open and one at bottom closed

Material	
Material of Enclosure	Polyamide
Contact / Contact Carrier	contact carrier made of polyamide, the contacts are brass
Weight/pcs	0.236 kg
Packaging unit	10 ST



Ampere	16	16	16	32	32	32
Polzahl	3	4	5	3	4	5
a	59,5	72,4	72,4	79,1	79,1	79,1
b	90,0	90,0	90,0	92,0	92,0	92,0
c	130,0	130,0	131,0	142,0	142,0	142,0
d	85,0	96,0	98,0	103,0	103,0	106,0
e	62,0	77,0	77,0	84,0	84,0	84,0
f	33,5	33,5	33,5	30,0	30,0	30,0
h	9,0	9,0	9,0	9,0	9,0	9,0
i	5,5	5,5	5,5	5,5	5,5	5,5
k	8,0	9,0	9,0	9,0	9,0	9,0
l ø	21,0	21,0	21,0	21,0	21,0	21,0
m	72,0	87,0	87,0	94,0	94,0	94,0
n	M 20	M 25	M 25	M 25	M 25	M 25
Leiter mm <sup>2</sup> min	1,5	1,5	1,5	2,5	2,5	2,5
Leiter mm <sup>2</sup> max	4	4	4	10	10	10