

Data sheet

Order number: 21001-TLS

TLS plug Multi-Grip cable gland

EAN/pcs **4024941192323**

Ampere **16A**

Poles **3p (2P+PE)**

Earth 'Clock' Position **6 h**

Voltage **200 up to 250V**

Frequency **50 and 60Hz**

Protection **IP44**

Color code **blue RAL 5015**

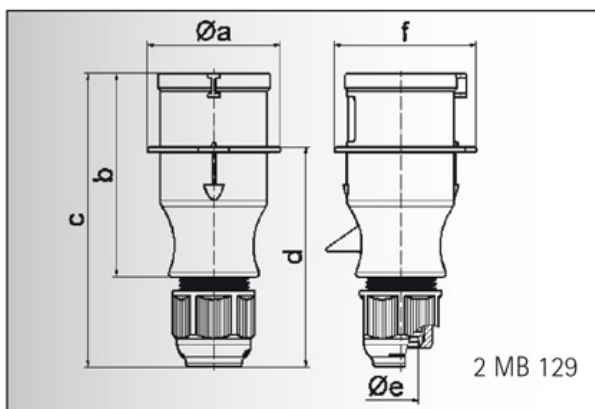
Connection Design **screw terminal**

Contact **contact carrier made of polyamide, the contacts are brass**

Weight/pcs **0,120 kg**

Packaging unit **10 pc/pcs**

Material of enclosure **Polyamide**



| | | | | | | |
|----------------------------|-------|-------|-------|-------|-------|-------|
| Ampere | 16 | 16 | 16 | 32 | 32 | 32 |
| Polzahl | 3 | 4 | 5 | 3 | 4 | 5 |
| a ø | 54,0 | 60,0 | 66,0 | 71,0 | 71,0 | 80,0 |
| b | 94,5 | 98,0 | 101,0 | 115,0 | 115,0 | 119,0 |
| c | 138,0 | 142,0 | 145,0 | 170,0 | 170,0 | 174,0 |
| d | 101,5 | 105,5 | 108,5 | 124,0 | 124,0 | 128,0 |
| e ø | 18,0 | 18,0 | 18,0 | 23,0 | 23,0 | 23,0 |
| f | 56,6 | 64,0 | 71,0 | 76,0 | 76,0 | 85,0 |
| Leiter mm ² min | 1 | 1 | 1 | 2,5 | 2,5 | 2,5 |
| Leiter mm ² max | 2,5 | 2,5 | 2,5 | 6 | 6 | 6 |

Bals Elektrotechnik GmbH & Co. KG

D-57399 Kirchhundem - Albaum

phone: +49(0)2723/771-0 fax: +49(0)2723/771-177

email: info@bals.com

www.bals.com

date: 03.05.2016