

Data sheet

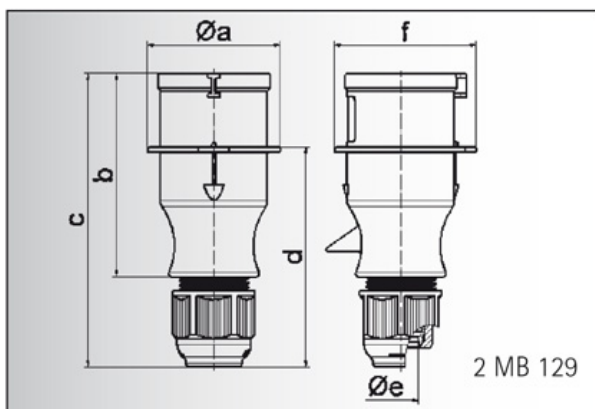
Order number: 21006-TLS

TLS plug Multi-Grip cable gland

EAN/pcs	4024941193160
Ampere	16A
Poles	4p (3P+PE)
Earth 'Clock' Position	7 h
Voltage	480 up to 500V
Frequency	50 and 60Hz
Protection	IP44
Color code	black RAL 9005
Connection Design	screw terminal
Contact	contact carrier made of polyamide, the contacts are brass
Weight/pcs	0,130 kg
Packaging unit	10 pc/pcs
Material of enclosure	Polyamide



Abbildung ähnlich/ image similar



Ampere	16	16	16	32	32	32
Polzahl	3	4	5	3	4	5
a ø	54,0	60,0	66,0	71,0	71,0	80,0
b	94,5	98,0	101,0	115,0	115,0	119,0
c	138,0	142,0	145,0	170,0	170,0	174,0
d	101,5	105,5	108,5	124,0	124,0	128,0
e ø	18,0	18,0	18,0	23,0	23,0	23,0
f	56,6	64,0	71,0	76,0	76,0	85,0
Leiter mm ² min	1	1	1	2,5	2,5	2,5
Leiter mm ² max	2,5	2,5	2,5	6	6	6

Bals Elektrotechnik GmbH & Co. KG

D-57399 Kirchhundem - Albaum

phone: +49(0)2723/771-0 fax: +49(0)2723/771-177

email: info@bals.com

www.bals.com

date: 03.05.2016