

Data sheet

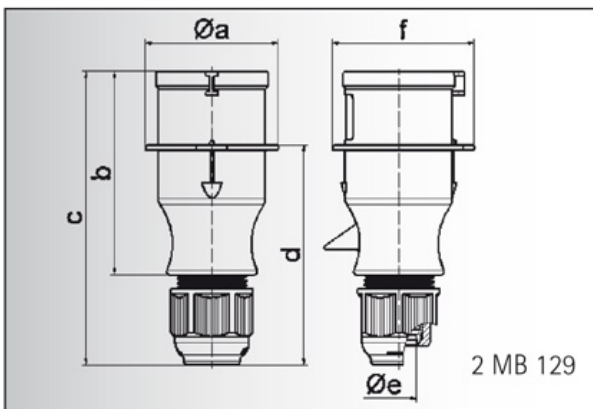
Order number: 21037-TLS

TLS plug Multi-Grip cable gland

EAN/pcs	4024941199261
Ampere	16A
Poles	5p (3p+N+PE)
Earth 'Clock' Position	7 h
Voltage	277/480 up to 288/500V
Frequency	50 and 60Hz
Protection	IP44
Color code	black RAL 9005
Connection Design	screw terminal
Contact	contact carrier made of polyamide, the contacts are brass
Weight/pcs	0,148 kg
Packaging unit	10 pc/pcs
Material of enclosure	Polyamide



Abbildung ähnlich/ image similar



Ampere	16	16	16	32	32	32
Polzahl	3	4	5	3	4	5
a ø	54,0	60,0	66,0	71,0	71,0	80,0
b	94,5	98,0	101,0	115,0	115,0	119,0
c	138,0	142,0	145,0	170,0	170,0	174,0
d	101,5	105,5	108,5	124,0	124,0	128,0
e ø	18,0	18,0	18,0	23,0	23,0	23,0
f	56,6	64,0	71,0	76,0	76,0	85,0
Leiter mm ² min	1	1	1	2,5	2,5	2,5
Leiter mm ² max	2,5	2,5	2,5	6	6	6

Bals Elektrotechnik GmbH & Co. KG

D-57399 Kirchhundem - Albaum

phone: +49(0)2723/771-0 fax: +49(0)2723/771-177

email: info@bals.com

www.bals.com

date: 03.05.2016