

Data sheet

Order number: 1619

QC wall mounting socket outlet, switched, interlocked

EAN/pcs **4024941016193**

Ampere **16A**

Poles **3p (2P+PE)**

Earth 'Clock'
Position **6 h**

Voltage **200 up to 250V**

Frequency **50 and 60Hz**

Protection **IP44**

Color code **blue RAL 5015**

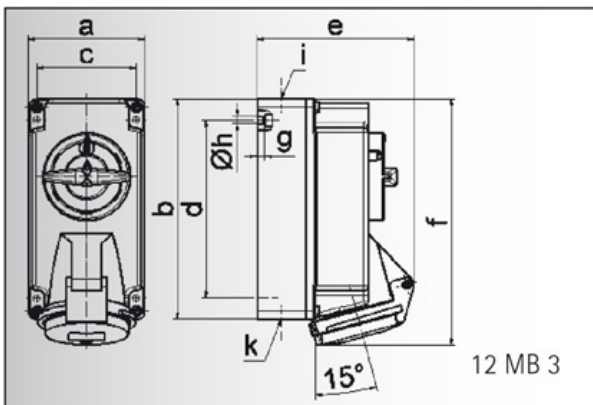
Connection Design **screwless spring terminals as cage clamp with Kontext-contact**

Contact **contact carrier made of high temperature resistant material,
contacts are brass nickel plated**

Weight/pcs **0,575 kg**

Packaging unit **1 pc/pcs**

Material of
enclosure **Polycarbonate**



Ampere	16	16	16
Polzahl	3	4	5
a	90,0	90,0	90,0
b	170,0	170,0	170,0
c	77,0	77,0	77,0
d	137,5	137,5	137,5
e	108,0	114,0	121,0
f	188,5	188,5	190,0
g	6,0	6,0	6,0
h ø	5,5	5,5	5,5
i	M 20	M 20	M 20
k	M 20/25	M 20/25	M 20/25

Bals Elektrotechnik GmbH & Co. KG

D-57399 Kirchhundem - Albaum

phone: +49(0)2723/771-0 fax: +49(0)2723/771-177

email: info@bals.com www.bals.com

date: 03.05.2016