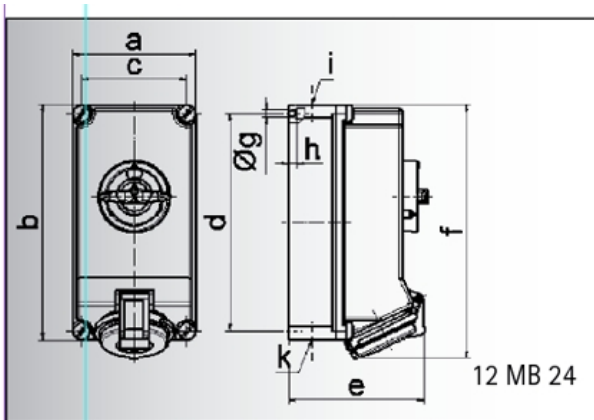


# Data sheet

Order number: 16039

QC wall mounting socket outlet, switched, interlocked

EAN/pcs	<b>4024941160391</b>
Ampere	<b>16A</b>
Poles	<b>5p (3p+N+PE)</b>
Earth 'Clock' Position	<b>6 h</b>
Voltage	<b>200/346 up to 240/415V</b>
Frequency	<b>50 and 60Hz</b>
Protection	<b>IP44</b>
Color code	<b>red RAL 3000</b>
Connection Design	<b>screwless spring terminals as cage clamp with Kontext-contact</b>
Contact	<b>contact carrier made of Polyamide, contacts are brass nickel plated</b>
Weight/pcs	<b>1,010 kg</b>
Packaging unit	<b>1 pc/pcs</b>
Material of enclosure	<b>Polycarbonate</b>



Ampere	16	16	32	32	32
Polzahl	4	5	3	4	5
a	118,0	118,0	118,0	118,0	118,0
b	225,0	225,0	225,0	225,0	225,0
c	101,0	101,0	101,0	101,0	101,0
d	208,0	208,0	208,0	208,0	208,0
e	126,0	134,0	137,0	137,0	144,0
f	242,0	242,0	251,0	251,0	251,0
g ø	6,5	6,5	6,5	6,5	6,5
h	8,0	8,0	8,0	8,0	8,0
i	2 x M 25	2 x M 25	2 x M 25	2 x M 25	2 x M 25
k	2 x M 25	2 x M 25	2 x M 25	2 x M 25	2 x M 25

**Bals Elektrotechnik GmbH & Co. KG**

D-57399 Kirchhundem - Albaum

phone: +49(0)2723/771-0 fax: +49(0)2723/771-177

email: [info@bals.com](mailto:info@bals.com) [www.bals.com](http://www.bals.com)

date: 03.05.2016