

Data sheet

Order number: 210824

TLS plug Multi-Grip cable gland

EAN/pcs **4024941146760**

Ampere **32A**

Poles **4p (3P+PE)**

Earth 'Clock'
Position **3 h**

Voltage **380 and 440V**

Frequency **50 and 60Hz**

Protection **IP67**

Color code **red RAL 3000**

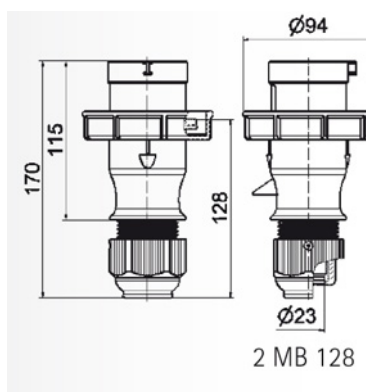
Connection Design **screw terminal**

Contact **contact carrier made of high temperature resistant material,
contacts are brass nickel plated**

Weight/pcs **0,250 kg**

Packaging unit **10 pc/pcs**

Material of
enclosure **Polyamide**



Bals Elektrotechnik GmbH & Co. KG

D-57399 Kirchhundem - Albaum

phone: +49(0)2723/771-0 fax: +49(0)2723/771-177

email: info@bals.com

www.bals.com

date: 03.05.2016