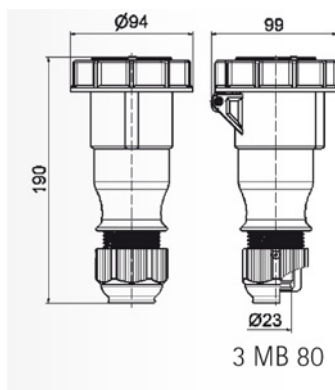


Data sheet

Order number: 310567

TLS connector Multi-Grip cable gland

EAN/pcs	4024941148795
Ampere	32A
Poles	4p (3P+PE)
Earth 'Clock' Position	3 h
Voltage	380 and 440V
Frequency	50 and 60Hz
Protection	IP67
Color code	red RAL 3000
Connection Design	screw terminal
Contact	contact carrier made of Polyamide, contacts are brass nickel plated
Weight/pcs	0,314 kg
Packaging unit	10 pc/pcs
Material of enclosure	Polyamide



Bals Elektrotechnik GmbH & Co. KG

D-57399 Kirchhundem - Albaum

phone: +49(0)2723/771-0 fax: +49(0)2723/771-177

email: info@bals.com

www.bals.com

date: 03.05.2016