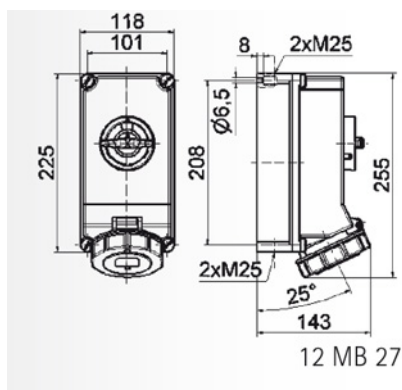


# Data sheet

Order number: 16050

QC wall mounting socket outlet, switched, interlocked

EAN/pcs	<b>4024941160506</b>
Ampere	<b>32A</b>
Poles	<b>4p (3P+PE)</b>
Earth 'Clock' Position	<b>3 h</b>
Voltage	<b>380 and 440V</b>
Frequency	<b>50 and 60Hz</b>
Protection	<b>IP67</b>
Color code	<b>red RAL 3000</b>
Connection Design	<b>screwless spring terminals as cage clamp with Kontext-contact</b>
Contact	<b>contact carrier made of high temperature resistant material, contacts are brass nickel plated</b>
Weight/pcs	<b>1,250 kg</b>
Packaging unit	<b>1 pc/pcs</b>
Material of enclosure	<b>Polycarbonate</b>



**Bals Elektrotechnik GmbH & Co. KG**

D-57399 Kirchhundem - Albaum

phone: +49(0)2723/771-0 fax: +49(0)2723/771-177

email: [info@bals.com](mailto:info@bals.com) [www.bals.com](http://www.bals.com)

date: 03.05.2016